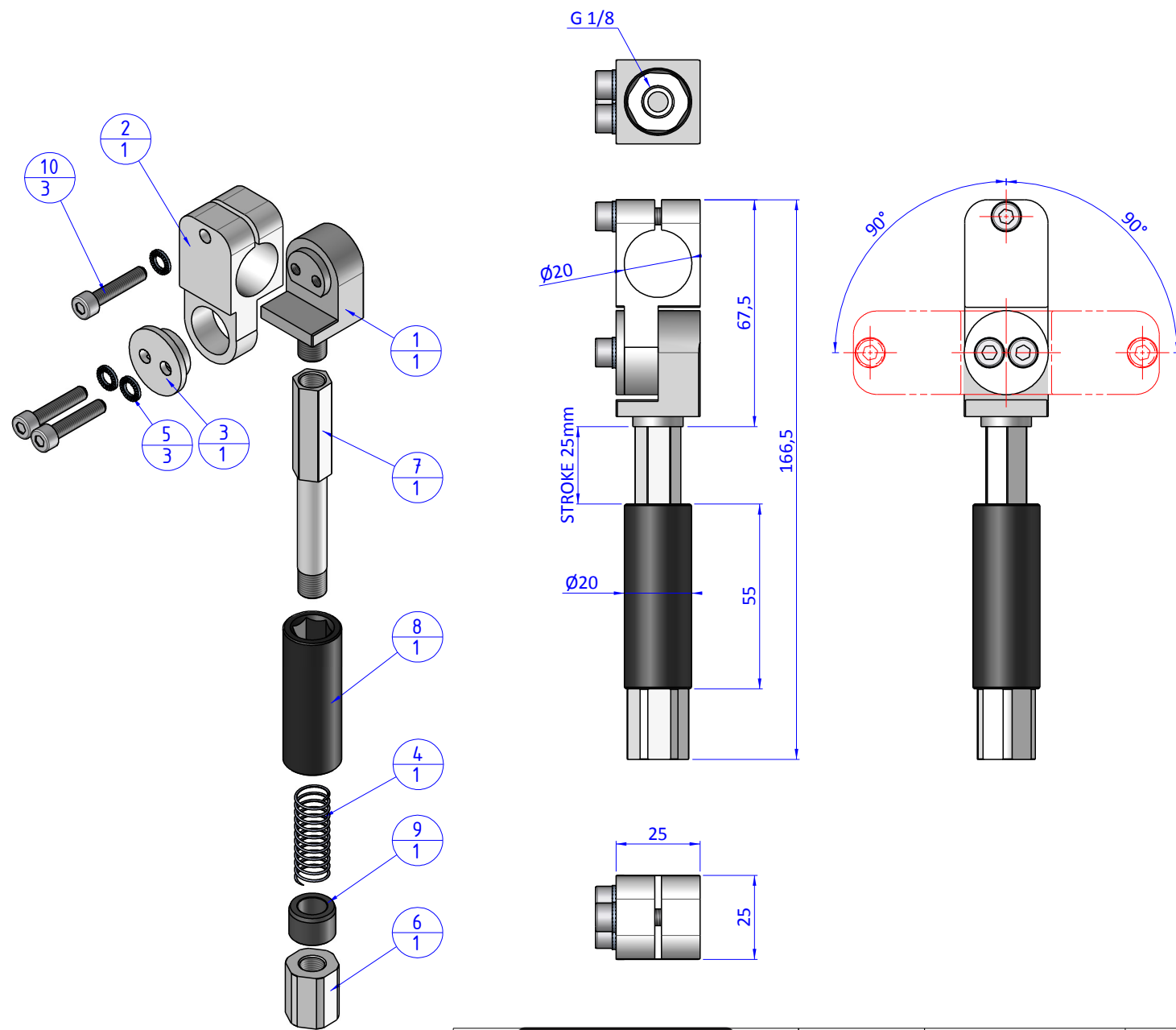


THE PROPERTY OF THE DRAWING IS ESTABLISHED BY LAW. IT IS FORBIDDEN TO PRODUCE OR SHOW IT TO THIRD PARTY, WITHOUT A WRITTEN AGREEMENT.

Object Number	Name	QTY
1	GRZ.202520.1	1
2	GVR.20.2	1
3	GVR.20.3	1
4	M.12X39.50	1
5	R.5.SCH	3
6	VSN.20.1	1
7	VSN.2025.4	1
8	VSN.2025.2.1	1
9	VSN.2025.3	1
10	V.TCE5x25	3



Format A3
UNI 936-76

		DESIGNED FROM		REVIEW
		FPSERVICES		A
GENERAL TOLERANCE		DATE	WEIGHT	
UNI - ISO 2768		07/02/2019	0,111kg	
CLASSE f		CODE		
		CA.SMN.202520		CA.SMN.202520